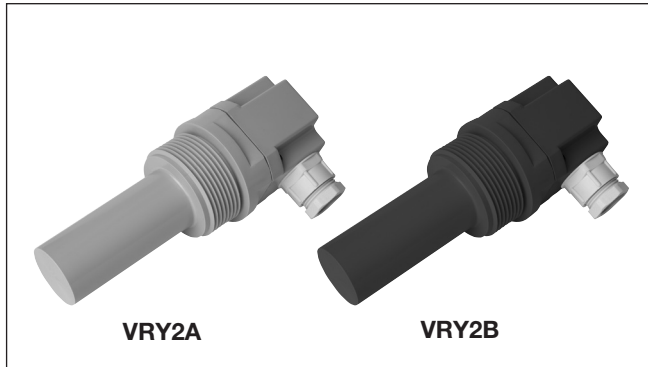


# Proximity Sensors Capacitive Thermoplastic Polyester Types VRY2A, VRY2B

CARLO GAVAZZI



- Capacitive level sensor for solids, fluids or granulated substances
- Polyester type with 1 1/2" pipe thread
- For use with amplifier SV 150/250 or SV 160/260

## Product Description

Capacitive level sensors for solids, fluids or granulated substances.

Typical application: Level detection in agriculture environments (e.g. silos).

## Ordering Key

VRY2 x

Type \_\_\_\_\_  
Sensing distance \_\_\_\_\_

## Type Selection

Nominal sensing distance

8 mm  
15 mm

Housing Colour

Grey  
Red

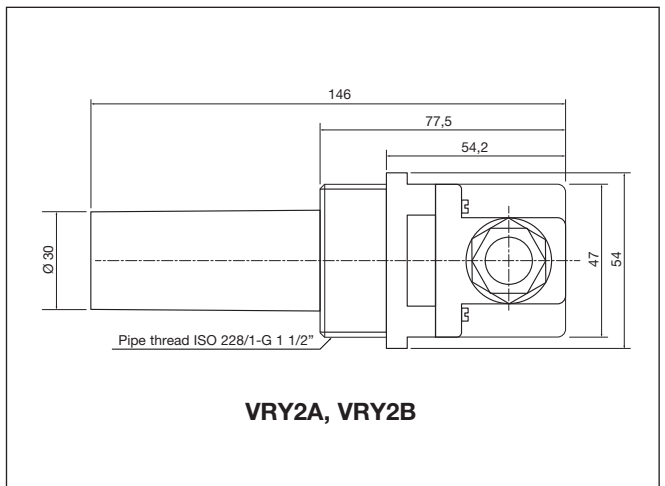
Ordering no.  
Polyester, 1 1/2" PT

VRY2A  
VRY2B

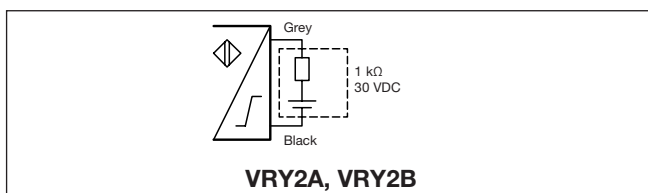
## Specifications

<b>Power supply</b>	20-30 VDC, 1 kΩ
<b>Consumption</b>	
Active	Min. 1.5 mA, max. 5.0 mA
Inactive	Min. 8.5 mA, max. 26.0 mA
<b>Housing material</b>	
VRY2A	Grey thermoplastic polyester
VRY2B	Red thermoplastic polyester
<b>Operating frequency</b>	100 Hz
<b>Environment</b>	
Degree of protection	IP 67
Operating temperature	-25° to +80°C (+32° to +176°F)
Storage temperature	-30° to +80°C (-22° to +176°F)
<b>Indication for output ON</b>	No
<b>Connection</b>	Screw terminals
<b>Pipe thread</b>	1 1/2"

## Dimensions



## Wiring Diagram



## Amplifier

- > SV150/250
- > SV160/260