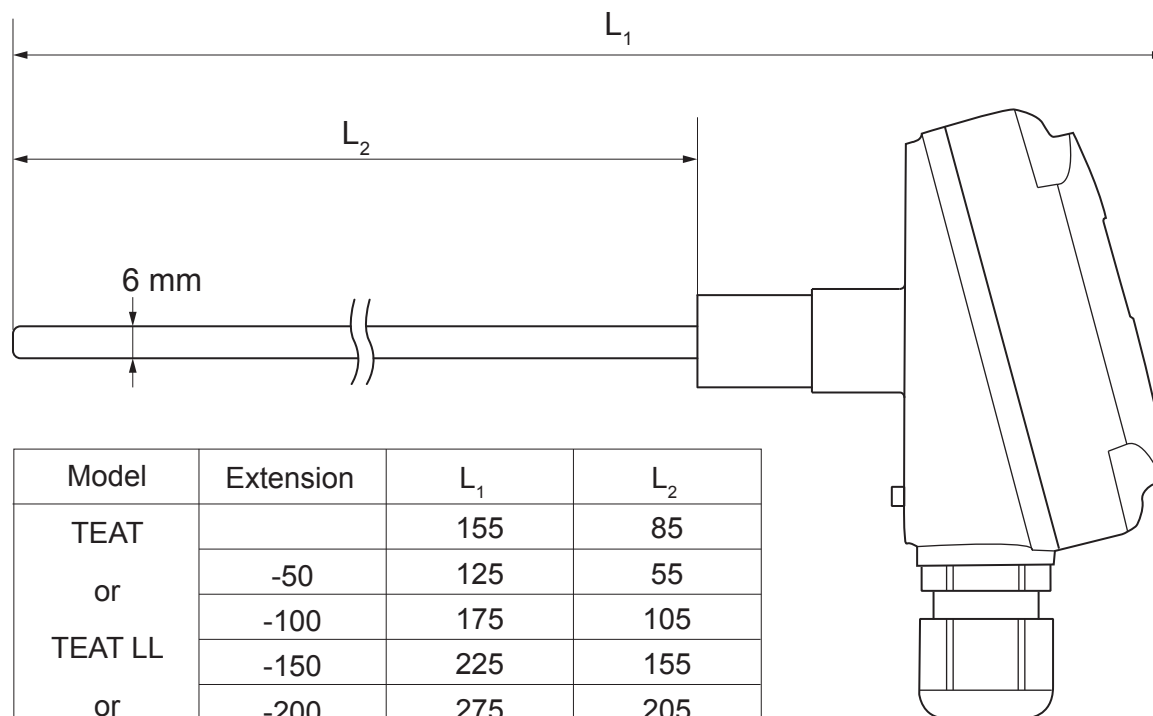
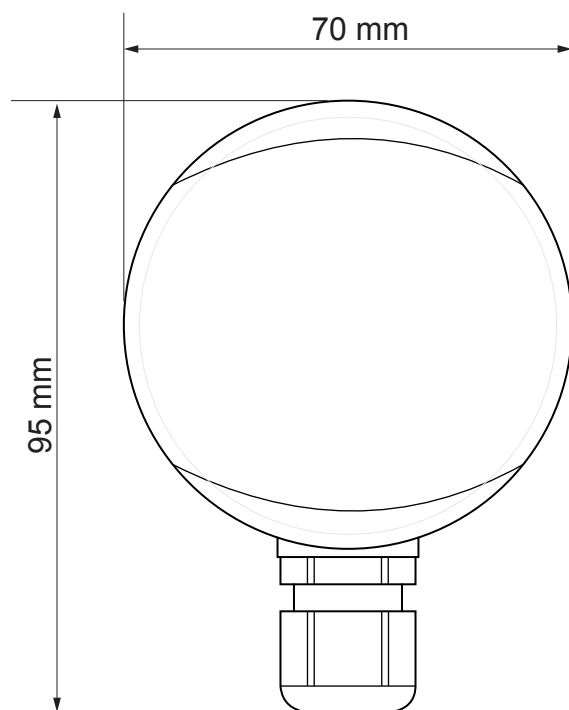


TEAT, TEAT LL, TEAT LU, TEAT-M



Model	Extension	L_1	L_2
TEAT		155	85
or	-50	125	55
TEAT LL	-100	175	105
or	-150	225	155
or	-200	275	205
TEAT LU	-250	325	255
or	-300	375	305
or	-350	425	355
TEAT-M	-450	525	455

Table reading examples:

TEAT PT 1000-300 -> $L_1 = 375$ mm and $L_2 = 305$ mm

TEAT LL-200 -> $L_1 = 275$ mm and $L_2 = 205$ mm