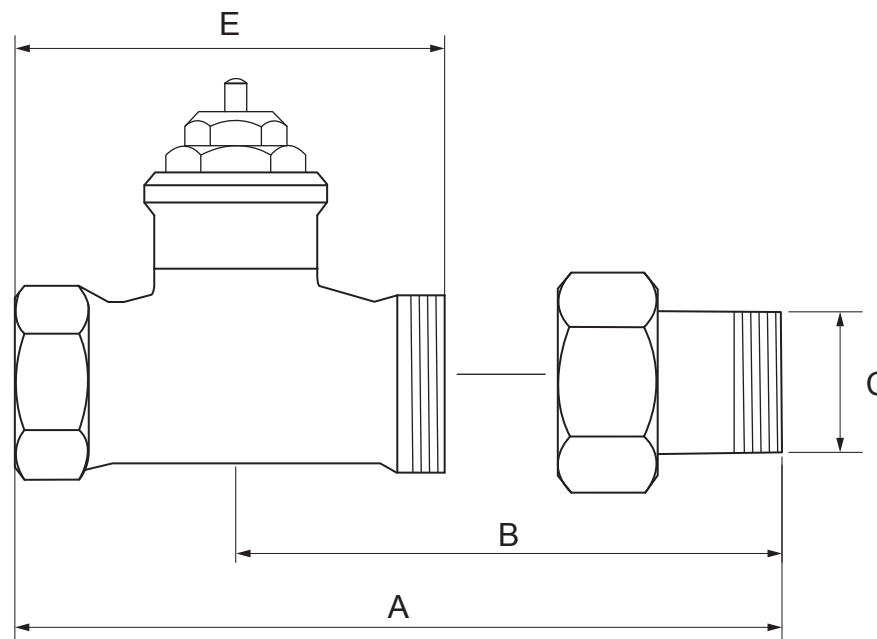
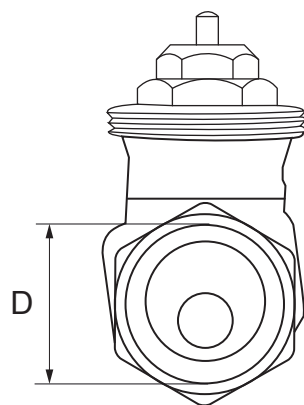


## NV2 valves



Model	A	B	C	D	E
NV2D10	75	51	R $\frac{3}{8}$ "	Rp $\frac{3}{8}$ "	50
NV2D10V					
NV2D10F					
NV2D15	82	55	R $\frac{1}{2}$ "	Rp $\frac{1}{2}$ "	55
NV2D15V					
NV2D15F					
NV2D20	98	66	R $\frac{3}{4}$ "	Rp $\frac{3}{4}$ "	65
NV2D20V					
NV2D20F					