

# Dupline Car Park System

## Type GP 6589 0101

### Passive red/green LED Indicator for Sensor



- Low current consumption
- Passive indicator for sensor
- No programming. Just hardware connected

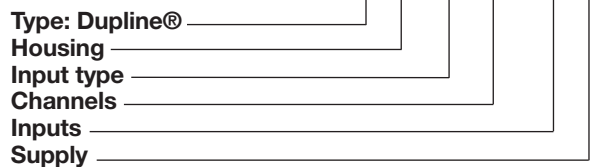
### Product Description

The passive red/green LED indicator for sensor is part of the car park system which contains other variants of sensors, passive displays and allocation indicators.  
The GP 6589 0101 is a passive LED indicator made as indicator for sensors.

The passive sensor is normally mounted outside the parking bay so that a passing vehicle can easily identify the status of the parking bay.

### Ordering key

**GP 6589 0101**



### Input/Output Specifications

5-pin connector

- Pin 1: Com = 24 VDC supply
- Pin 2: Red
- Pin 3: Not in use
- Pin 4: BL1 } Green
- Pin 5: BL2 }

### Type Selection

GP 6589 0101 Passive red/green LED indicator

### General Specifications

**LED indication:**

Occupied:  
Space available:

Red LED continuously lit  
Green LED continuously lit

### Supply Specifications

**Power supply:**

24 VDC min.; 32 VDC max.  
(Overvoltage category III (IEC60664))

**Max. supply current**

28 mA

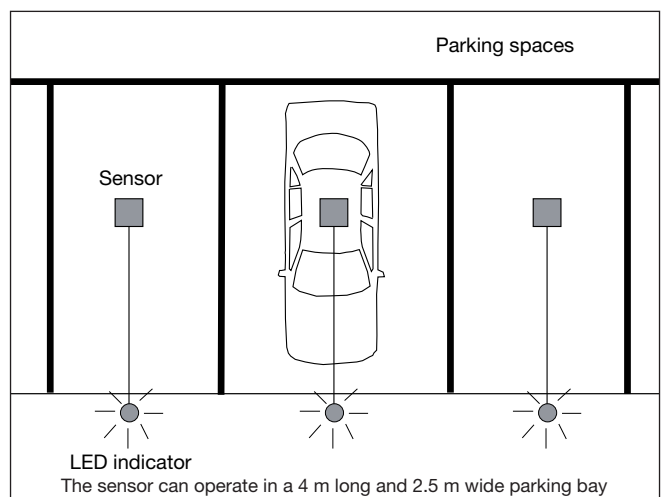
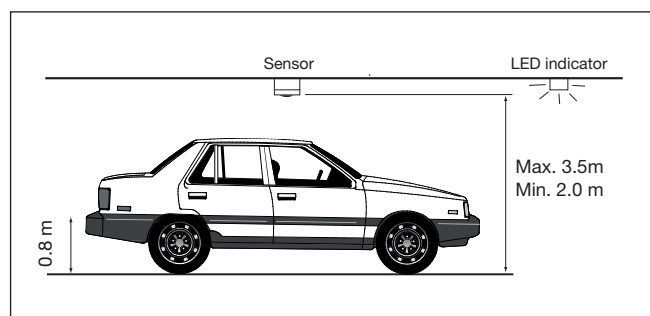
**Power consumption:**

< 0.7 Watt

### Mode of Operation

GP 6589 is a passive LED indicator used for status indication of a parking bay and is located outside the space. The indicator is connected to the appropriate sensor by means of a 4-wire cable.

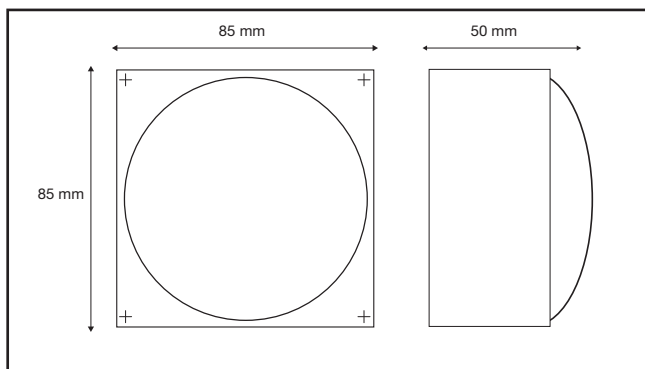
The indicator is a passive unit, with no possibilities of adjustment or interface.



## Environment

- Protection: IP 61
- Operating temperature: -25°C to 70°C
- Storage temperature: -40°C to 85°C
- Pollution Degree: 3 (IEC 60664)
- Dimensions: 85 x 85 x 50 mm
- Material: The case is made of polypropylene. The sensor lid is made of clear Polycarbonate.

## Dimensions



## Example of connection

