

# Water Detection Sensor Type G 8910 2116



- 2-channel transmitter
- Integrated water sensor input
- Channel coding by GAP 1605
- Water resistant PCB with screw terminals
- Easily mountable with unique mounting bracket
- Supplied by Dupline®
- External input for Felson moisture cable

## Product Description

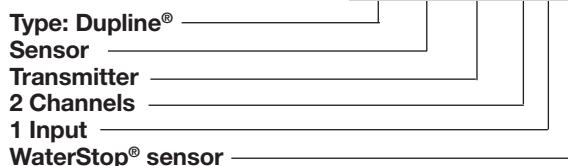
Dupline® transmitter, designed to be a part of the Dupline® WaterStop® concept for residential buildings. When mounted correctly on the unique mounting bracket, the sensor detects water on the floor directly or by an external sensor in the under

floor heating installation, and signals the status to the Mastergenerator or WaterStop® kit.

When using the external sensor both the internal and external input responds to the same Dupline® channel.

## Ordering Key

**G 8910 2116**



## Type Selection

Supply	Ordering no.
By Dupline®	G 8910 2116

## Supply Specifications

<b>Power supply</b> Rated operational current	Supplied by Dupline® typ. 1.3 mA
--------------------------------------------------	-------------------------------------

## Input Specifications

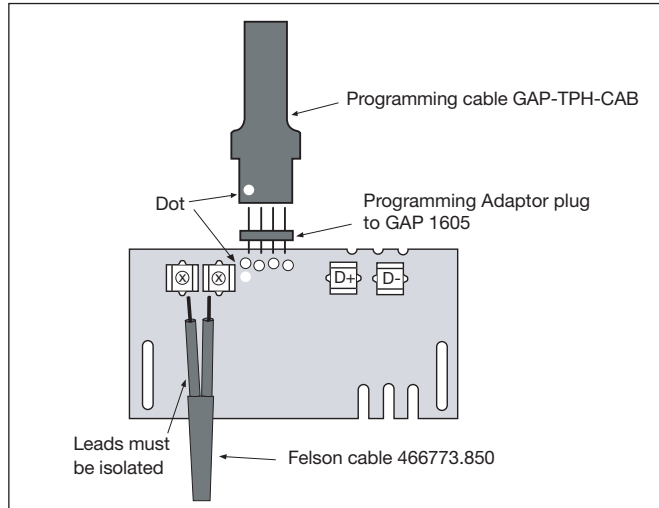
<b>Input</b>	1 integrated water sensor in parallel with screw terminals for external sensor
Open loop voltage	< 8.0 VDC
Trigger resistance	150 – 470 KΩ
<b>Response time</b>	≤ 156 ms @ 128 channels

## General Specifications

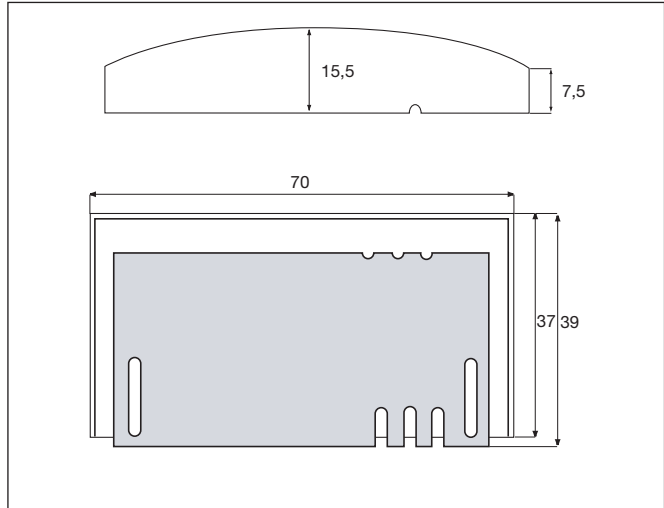
<b>Channel programming</b>	By GAP 1605	<b>Connection</b>	Screw terminal	D+ : Dupline® + D- : Dupline® -
<b>Channel assignment</b>	1 pair of channels, freely programmable	<b>Connection f. external "Felson" sensor</b>	Screw terminal	Pin X & X
I/O number 1 I/O number 2	Water detection Always ON*	<b>Housing</b>	Material Housing	ABS
<b>Environment</b>	IP 67	Color	White	70 x 40 x 16 mm
Degree of protection	-20 to +50°C (-4 to +122°F)	Dimensions (H x W x D)	100g	Direct wall mounting
Operating temperature	-50 to +85°C (-58 to +185°F)	Weight		
Storage temperature		Mounting		
<b>Mechanical resistance</b>				
Shock	15 G (11 ms)			
Vibration	2 G (6 to 55 Hz)			

\* Only when using WaterStop®

## Wiring diagram



## Dimensions



## Accessories

Programming cable GAP-TPH-CAB  
Felson cable 1 m + 5 cm leads 466773.850