

# IR Receiver Type G 8585 5533



- IR receiver for B&O light remote control
- 8-channel Dupline<sup>®</sup> transmitter
- Supplied by Dupline<sup>®</sup>, no external supply required
- Channel coding by GAP 1605

## Product Description

The IR receiver is designed and coded for B&O remote controllers with light control function. By means of the programming unit GAP1605, each of the 8 channels in the IR receiver can be cod-

ed to a freely selected address. The IR receiver activates the set Dupline<sup>®</sup> channel as long as the corresponding button on the B&O remote controller is activated.

## Ordering Key

**G 8585 5533**

|                            |       |
|----------------------------|-------|
| Type: Dupline <sup>®</sup> | _____ |
| OPUS- Housing              | _____ |
| Function                   | _____ |
| 8 Channels                 | _____ |
| 8 Inputs                   | _____ |
| Input type                 | _____ |

## Type Selection

| Supply                  | Ordering no. |
|-------------------------|--------------|
| By Dupline <sup>®</sup> | G 8585 5533  |

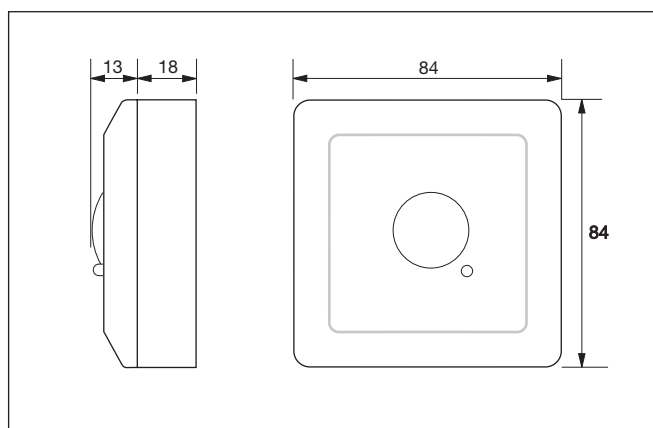
## Supply Specifications

|                     |                                  |
|---------------------|----------------------------------|
| <b>Power supply</b> | Supplied by Dupline <sup>®</sup> |
| <b>Consumption</b>  |                                  |
| Not activated       | 4.0 mA                           |
| Activated           | Typ. 4.9 mA                      |

## General Specifications

|                               |  |
|-------------------------------|--|
| <b>Channel coding</b>         | By GAP 1605 and special cable: GAP-TPH-CAB |
| <b>No. of channels</b>        | 8  |
| <b>Enclosure</b>              | ELKO Mechanics                             |
| <b>Environment</b>            |  |
| Degree of protection          | IP 40                                      |
| Operating temperature         | 0 - 50 °C (32 - 122°F)                     |
| Storage temperature           | -30 - 70°C (-22 - 158°F)                   |
| <b>Connection</b>             | Screw terminals                            |
| Max. wires in terminals       | 4 x 0.75 mm <sup>2</sup>                   |
| Terminal D+                   | Signal                                     |
| Terminal D-                   | Common                                     |
| <b>Housing</b>                |  |
| Colour                        | Off-white                                  |
| <b>Dimensions (W x H x D)</b> | 84 x 84 x 31 mm                            |
| <b>Weight</b>                 | Approx. 100 g                              |

## Dimensions



## Mode of Operation

### Remote controls capable of operating the G8585 5533

The BEO4 and all BEOLINK 1000 types equipped with a "light" button can operate the module.

### Controlling G8585 5533

If the room is equipped with only one IR module, activate (for example on BEO4) the buttons "Light, 1, GO" to change the status of the first

output. The buttons 1-8 correspond to the outputs 1-8.

To activate the output, use the following buttons: GO, ▼, ▲, ►► and ◀◀.

For ON/OFF control it is recommended to use the GO-button and for light dimming one of the four buttons: ▼, ▲, ►► and ◀◀.

When the remote control is in LIGHT mode, it is possible to change an output without

use of the LIGHT button.

If the room is equipped with several modules, a DIP-switch determines the modules address. See the following chapter.

### DIP-switch setting

If only one module is used all three switches must be OFF (i.e. positioned towards the digits on the PCB).

It is possible to operate 4

different modules and DIP-switches 1 and 2 determine the module address. See the table below.

DIP-switch 3 determines whether 1 (OFF) or several modules (ON) are in use.

| Switch 1   | Switch 2   | Switch 3 | Module address | Buttons | Example of sequence |
|------------|------------|----------|----------------|---------|---------------------|
| Don't care | Don't care | OFF      | Single module  | 1 - 8   | LIGHT, 1, GO        |
| ON         | ON         | ON       | Module # 0     | 01 - 08 | LIGHT, 0, 1, GO     |
| OFF        | ON         | ON       | Module # 1     | 11 - 18 | LIGHT, 1, 1, GO     |
| ON         | OFF        | ON       | Module # 2     | 21 - 28 | LIGHT, 2, 1, GO     |
| OFF        | OFF        | ON       | Module # 3     | 31 - 38 | LIGHT, 3, 1, GO     |

## Accessories

Programming cable  
to GAP 1605

GAP-TPH-CAB