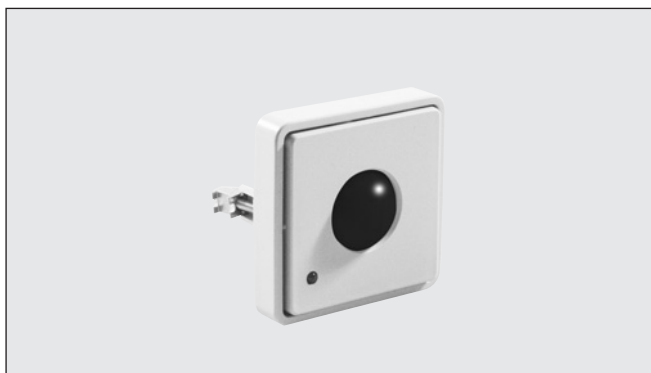


# IR Receiver for B&O Type G 8185 5533



- IR receiver for B&O light remote control
- 8-channel Dupline<sup>®</sup> transmitter
- Supplied by Dupline<sup>®</sup>, no external supply required
- Channel coding by GAP 1605
- Indoor applications

## Product Description

The IR receiver is designed and covefor B&O remote controllers with light control function. By means of the programming unit CAP 1605 and cable GAP-TPH-CAB, each og the 8 channels in the IR receiver can be coded to a

freely selected address. The IR receiver activates the set Dupline<sup>®</sup> as long as the cor-responding button on the B&O remote controller is activated.

## Ordering Key

**G 8185 5533**

Type: Dupline <sup>®</sup>	_____
Fuga housing	_____
Transmitter	_____
8 channels	_____
8 inputs	_____
Input type	_____

## Type Selection

Supply	Ordering no.
By Dupline <sup>®</sup>	G 8185 5533

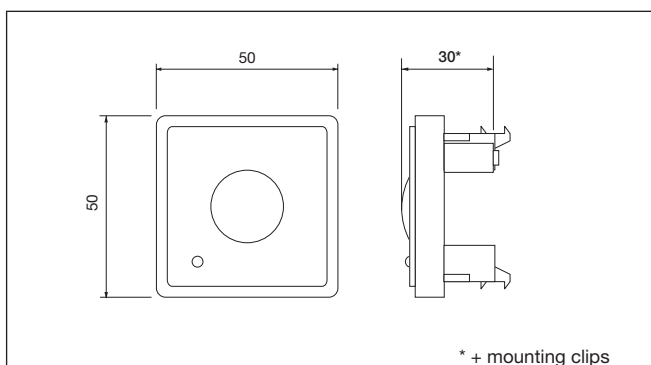
## Supply Specifications

<b>Power supply</b>	Supplied by Dupline <sup>®</sup>
<b>Consumption</b> Not activated Activated	4.0 mA Typ. 4.9 mA

## General Specifications

<b>Channel coding</b>	By GAP 1605 and special cable: GAP-TPH-CAB
<b>No. of channels</b>	8
<b>Enclosure</b>	LKNES FUGA Mechanics
<b>Environment</b> Degree of protection Pollution degree Operating temperature Storage temperature	IP 20 3 (IEC 60664) 0 - 50 °C (32 - 122°F) -20 - 70°C (-4 - 158°F)
<b>Humidity (non condensing)</b>	20 - 80%
<b>Weight</b>	50 g
<b>Dimensions</b> Fuga	50 x 50 x 30 mm (including frame)
<b>Max. wire in terminals</b>	Max. 4 x 0.75 mm <sup>2</sup>

## Dimensions



## Mode of Operation

### Remote controls capable of operating the G 8X85 5533

The BEO4 and all BEOLINK 1000 types equipped with a "light" button can operate the module.

### Controlling G 8X85 5533

If the room is equipped with only one IR module, activate (for example on BEO4) the buttons "Light, 1, GO" to change the status of the first

output. The buttons 1-8 correspond to the outputs 1-8.

To activate the output, use the following buttons: GO, ▼, ▲, ►► and ◀◀.

For ON/OFF control it is recommended to use the GO-button and for light dimming one of the four buttons: ▼, ▲, ►► and ◀◀.

When the remote control is in LIGHT mode, it is possible to change an output without

use of the LIGHT button.

If the room is equipped with several modules, a DIP-switch determines the modules address. See the following chapter.

### DIP-switch setting

If only one module is used all three switches must be OFF (i.e. positioned towards the digits on the PCB).

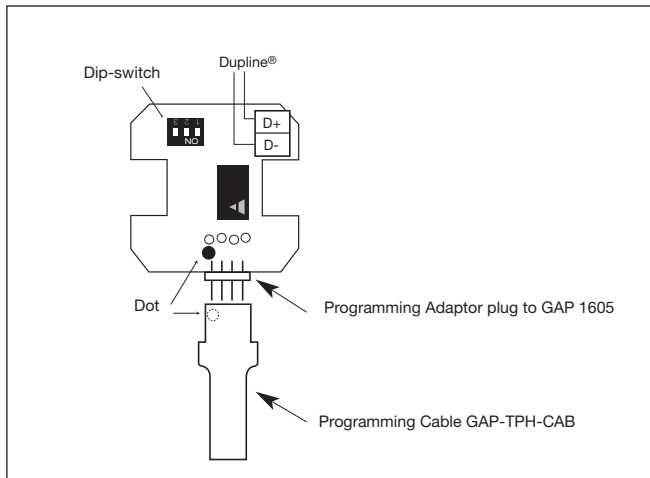
It is possible to operate 4

different modules and DIP-switches 1 and 2 determine the module address. See the table below.

DIP-switch 3 determines whether 1 (OFF) or several modules (ON) are in use.

Switch 1	Switch 2	Switch 3	Module address	Buttons	Example of sequence
Don't care	Don't care	OFF	Single module	1 - 8	LIGHT, 1, GO
ON	ON	ON	Module # 0	01 - 08	LIGHT, 0, 1, GO
OFF	ON	ON	Module # 1	11 - 18	LIGHT, 1, 1, GO
ON	OFF	ON	Module # 2	21 - 28	LIGHT, 2, 1, GO
OFF	OFF	ON	Module # 3	31 - 38	LIGHT, 3, 1, GO

## Wiring Diagram



## Accessories

Programming cable to GAP 1605

GAP-TPH-CAB