

# IR Receiver Type G 4185 5531



- IR Receiver for handheld infrared remote controller G4085 5562
- 8 channel Dupline® Transmitter
- Indoor applications
- Designed and coded for G4085 5562
- Dupline® input
- Channel coding by GAP 1605
- Addressable
- Supplied by Dupline®

## Product Description

The IR receiver is designed and coded for Dupline® IR remote controller G 4085 5562. By means of the programming unit GAP 1605, each of the 8 channels in the IR receiver can be coded to a freely selected address. The IR receiver activates the set Dupline® channel as long as the corresponding button on the IR transmitter is pressed.

## Ordering Key

**G 4185 5531**

Type: Dupline®  
Remote IR Receiver Housing  
IR Accessories  
8 Channels  
8 inputs  
Dupline® Transmitter with IR Input

## Type Selection

Supply	Ordering no.
Dupline® supplied	G 4185 5531

## Supply Specifications

<b>Power Supply</b> Rated operational current	Supplied by Dupline® 4 mA
--	------------------------------

## General Specifications

<b>Principle of transition</b> Wave frequency Coding	Infrared light 950 nm 38 kHz PPM-code (Pulse Position Modulation)
Length of Telegram	12 bit
No. of channels	8
Address setting	By GAP 1605 and special cable GAP-THP-CAB
Operating temperature	-10 to +40°C (14 to +104°F)

## Mode of Operation

The IR remote control system is a system component for the Dupline® installation bus. It consists of two modules: an 8-channel IR-receiver (Dupline® transmitter) and an 8-channel handheld IR transmitter.

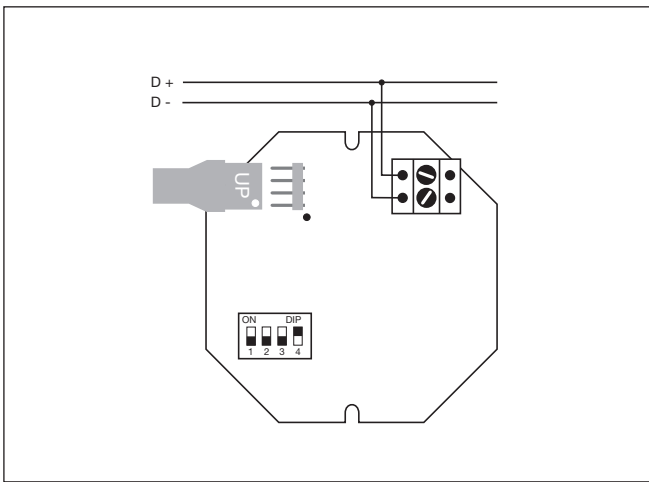
The IR-receiver is supplied by Dupline®, which eliminates the need for further connections, and is intended for building into flush-type switch boxes. The IR-receiver can transmit on eight Dupline® channels, and the address coding is performed by means of the programming unit GAP 1605 through the rear-mounted modular plug connection. The handheld IR-transmitter has eight keys for activation of the eight channels. By means of a rotary switch, it is possible to preset channel groups A to H of the corresponding receiver, which means that a handheld transmitter can activate up to 64 channels. (See: Internal IR Address Settings). The handheld transmitter features a text writing facility at the back.

### Start-up

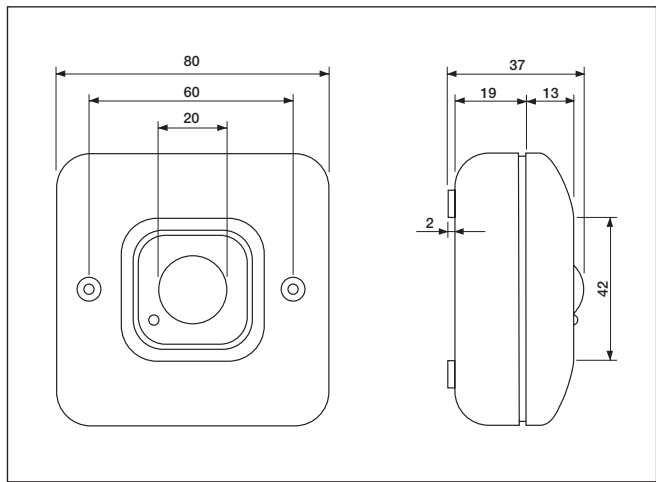
Address coding of the IR-receiver (Dupline® transmitter) can take place before or after start-up. In either case, the bus cable must be connected at the screw terminal on the back of the receiver (1=Signal, 2=Ground). The IR-receiver should be mounted in the specified direction in the switch box, in order to achieve optimum receiving characteristics.

The handheld IR-transmitter must be equipped with four batteries type Micro cell size AAA. The transmission with IR systems only works when quasi-visual contact exists between transmitter and receiver within the transmission range. Often reflection reception is also possible. Transmission cannot take place through walls or windows. Therefore a suitable place for mounting must be selected.

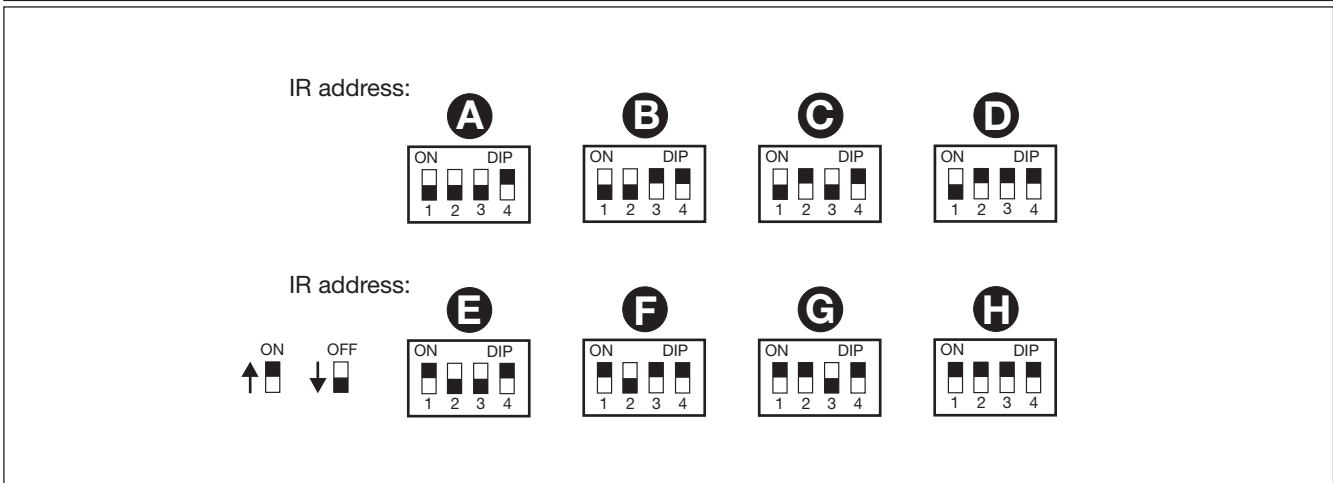
## Wiring Diagram



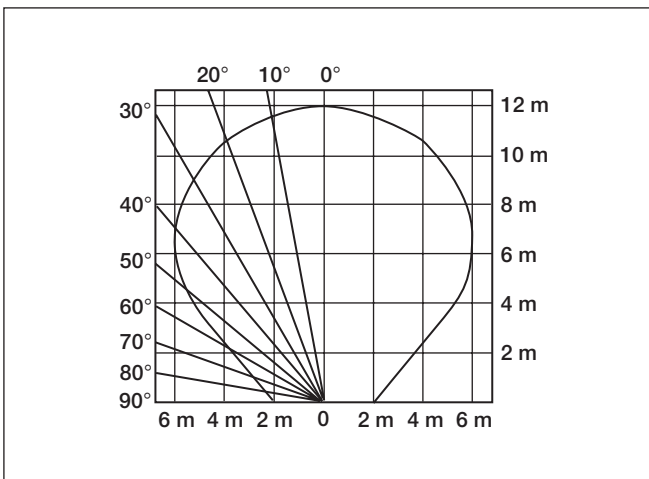
## Dimensions



## Internal IR Address Settings



## Radiation Diagram



## Accessories

Programming cable  
to GAP 1605

GAP-TPH-CAB