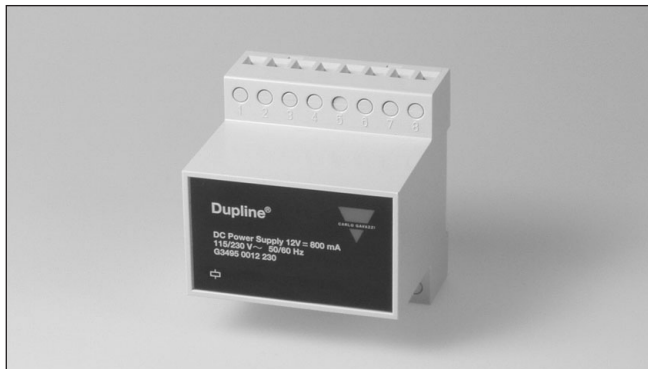


Power Supply Type G3495 0012, G3495 0024



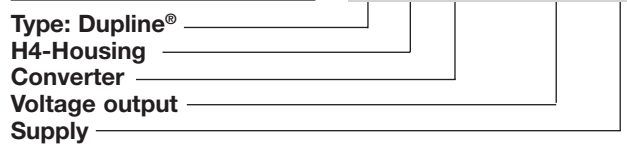
- AC-DC converter
- Output 12 VDC / 800 mA or 24 VDC / 400 mA
- Short-circuit protected
- H4-housing
- For mounting on DIN-rail (EN 50022)
- LED-indications for supply and overload
- AC power supply

Product Description

G 3495 00xx 230 is a power supply used to supply Dupline DC modules. Max. output is 9.6 W.

Ordering Key

G 3495 0012 230



Type Selection

Supply	Voltage output	Ordering no.
115/230 VAC	12 VDC	G 3495 0012 230
115/230 VAC	24 VDC	G 3495 0024 230

Output Specifications

	G 3495 0012 230	G 3495 0024 230
Output		
Voltage (V _{DD} out)	12 VDC ± 0.5 V	24 VDC ± 0.5 V
Current	≤ 800 mA	≤ 400 mA
Output power	≤ 9.6 W	≤ 9.6 W
Ripple	1% V _{P-P} max.	1% V _{P-P} max.
Short-circuit protection	Yes	Yes

Supply Specifications

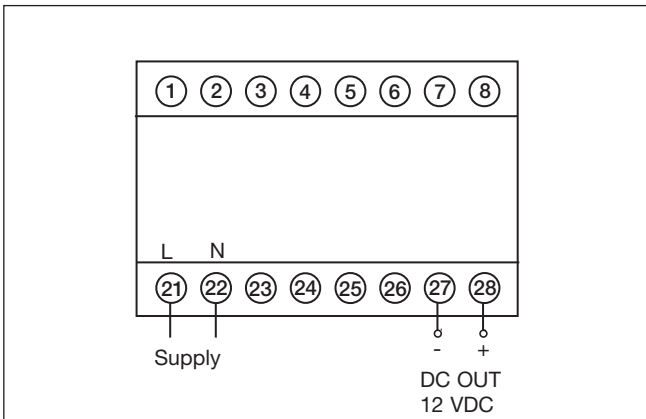
Power supply AC types	Overvoltage cat. III (IEC 60664)	Dielectric voltage	
Rated operational voltage terminals 21 & 22	115 VAC/230 VAC ±15% (IEC 60038)	Supply - Outputs	3 kVAC (rms)
Frequency	47 to 63 Hz	Supply - Inputs	3 kVAC (rms)
Power consumption	13 VA (by max. load)		
Power dissipation	≤ 5 W		
Rated impulse withstand voltage	230 4 kV		

General Specifications

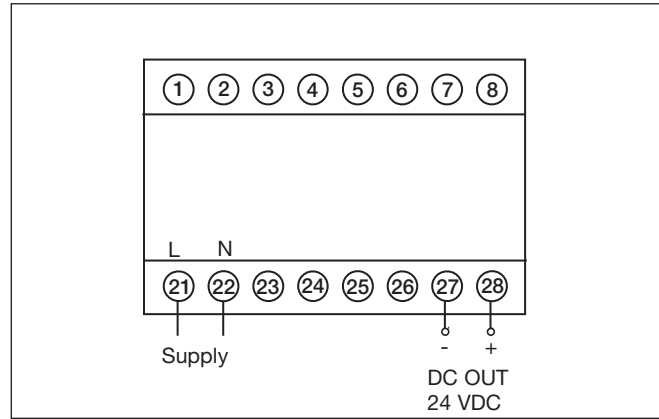
Power ON delay	≤ 1 s	Humidity (non-condensing)	20 to 80%
Indication for Supply	LED, green	Mechanical resistance	Shock 15 G (11 ms) Vibration 2 G (6 to 55 Hz)
Environment	Degree of protection IP 20 B Pollution degree 3 (IEC 664) Operating temperature 0° to +45°C (+32° to +113°F) Storage temperature -40° to +85°C (-40° to +185°F)	Dimensions	H4-Housing (see Technical information)
		Material	(see Technical information)
		Weight	165 g

Wiring Diagrams

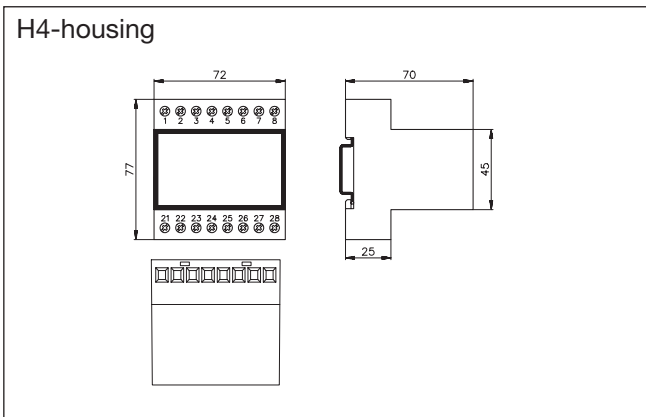
G 3495 0012 230



G 3495 0024 230



Dimensions (mm)



Accessories

DIN-rail

FMD 411