

General Accessories

Connectors

Type CONBP5...

CARLO GAVAZZI



- Straight or 90° connectors
- M8 version - Push-on
- 3 wire
- IP 67
- UL approved

Product Description

M8 Push-on connection cables for easy connection. Come with 3 wires and in straight or angled versions.

UL approved high-quality connection cable in PVC.

Ordering Key

CONBP53NF-A2

CONB _____
P5 = M8 Push-on _____
3 = 3 Wire (BN, BU, BK) _____
N= Not shielded _____
F= Female _____
A = Angled _____
S = Straight _____
2 = 2 m _____

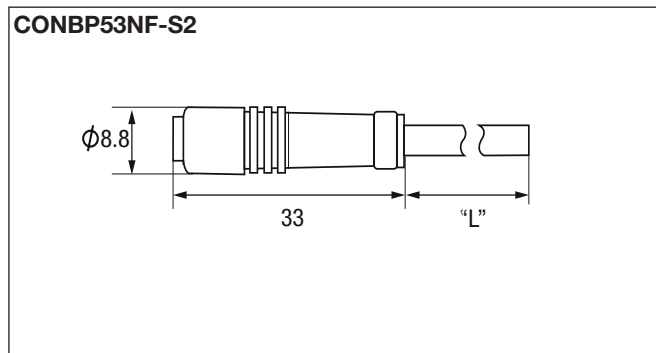
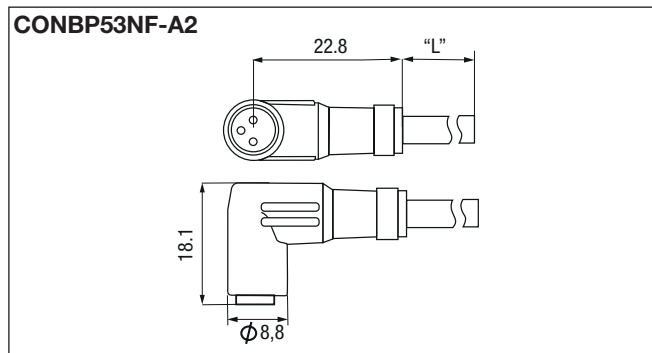
Type Selection

Plug type	Cable length	Ordering number
3-Wire Angled	2 m	CONBP53NF-A2
3-Wire Straight	2 m	CONBP53NF-S2

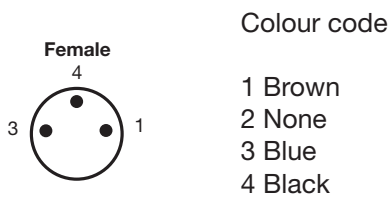
Specifications

Rated operating voltage	60V AC/DC	Moulded body material	TPU translucent
Rated current	≤4A	Coupling screw	CuZn, nickel plated
Contact resistance	≤5mΩ	Tightening torque	0.5 Nm
Rated impulse voltage	1.5KV	Degree of protection	IP67
Insulation resistance	>10 ⁹ Ω	Pollution degree	3
Cable outer diameter	5.0mm	Pin IEC standard	IEC61076-2-104
Wire cross section	0,34mm ²	Temperature	-40° to 90°C
Cable	PVC, black	Weight	approx. 75g
Contact material	CuSn		
Contact plating	Pre-nickel and gold plated		
Contact bearer material	PA/TPU, orange		

Dimensions



Contact layout



Derating curve (DIN EN 60512-5-2)

