

BSK-MAG

- Aluminium housing, cylindrical
- Diameter: Ø19.8 (Collar Ø23.9)
- Expansible housing for mounting purpose
- Hall effect sensor
- Sensing distance: max. 10 mm
- Magnet with housing like the sensor
- Freely programmable channel by BGP-COD-BAT with Adapt 1605
- Powered by smart-house
- 2 m cable



GENERAL SPECIFICATIONS

Channel programming	By BGP-COD-BAT with adapt 1605
No. of channels	1
Housing	Custom-Aluminium housing
Environment	
Degree of protection	IP 44

Operating temperature	-20° to +50°C (-4° to +122°F)
Storage temperature	-20° to +70°C (-4° to +158°F)
Cable type	Black. 4 x 0.4 mm ² oil proof, PCVC
Cable length	2.0 m

INPUT SPECIFICATIONS

Sensor	1 integrated hall effect switch
Sensing distance	1.0 to 10 mm
Response time	≤ 1 pulse train

SUPPLY SPECIFICATIONS

Power supply	Supplied by smart-house
Consumption	
No magnetic flux	< 0.7 mA
Magnetic flux	< 0.8 mA

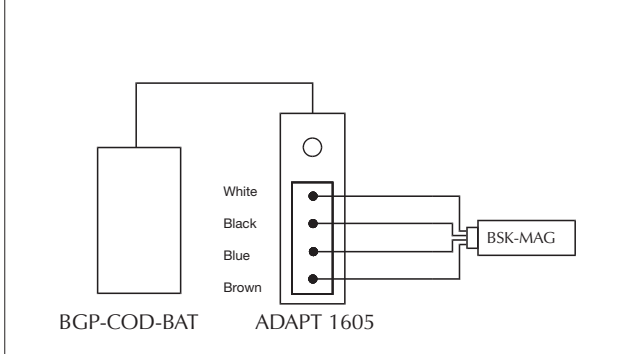
MODE OF OPERATION

Using the BGP-COD-BAT programming unit and the ADAPT 1605 adapter the activation channel on the sensor can be assigned by any address between A1 and P8.

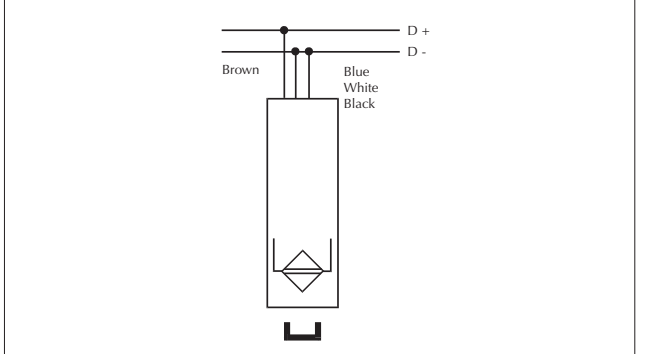
TYPE SELECTION

Supply	Colour	Ordering no.
Type: smart-house	Aluminium	BSK-MAG

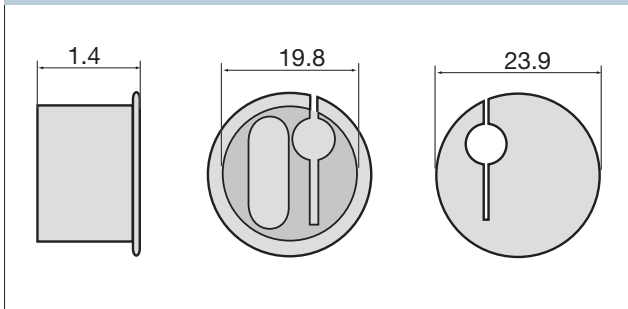
CHANNEL PROGRAMMING



WIRING DIAGRAM



DIMENSIONS



ADDITIONAL INFORMATION

Magnet with housing like the sensor is included

INSTALLATION

For correctly install the window sensor, the magnet must be placed directly opposite the sensor as shown on the pictures below.

