

COMPATIBLE PRODUCTS

TEAT and TENA devices.

ASSEMBLY INFORMATION

Device is installed to water pipe measuring point or T-piece. A suitable sealing method should be used to ensure a proper and safe measurement. Assembly location of the device should be chosen with care. All error factors which affects to the measurement, must be prevented well as possible. For example

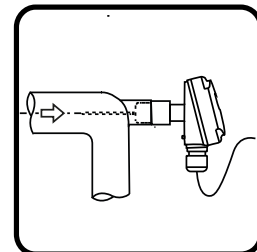
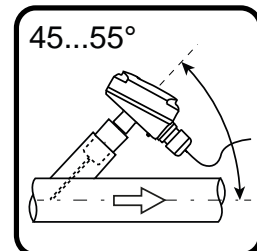
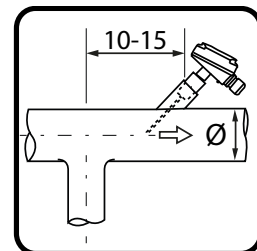
- ambient temperature is too low or high.
- ambient humidity is too high.
- exposure to vibration.
- assembly location is too close to water mixing point.
- too tight assembly location. Device should be installed so, where it is easy to service.

ASSEMBLY

1. Choose a location for the device assembly.

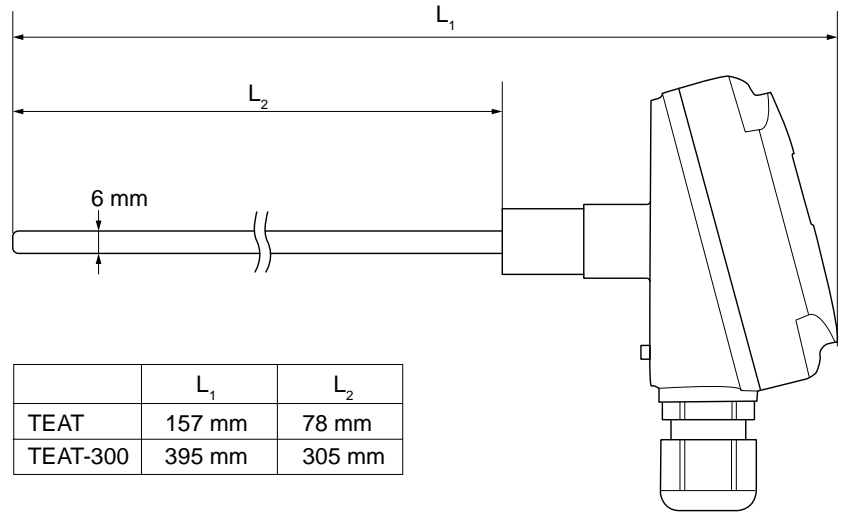
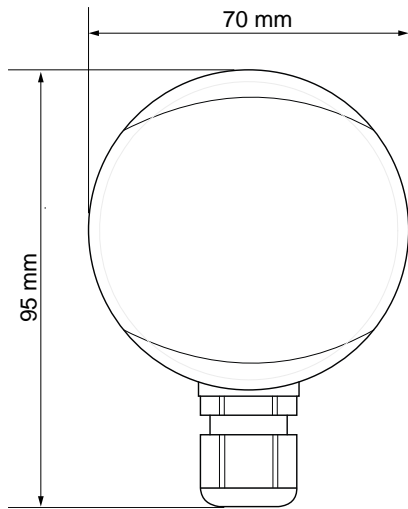
NOTE: The location of the device should be at least 10 – 15 times pipe diameter away from mixing point.

2. Fit the device into water pipe so, that the measuring probe is against the direction of flow. Fit the stem or cable entry of the device downwards. Otherwise moisture can't get out of the device housing.
3. Connect cables to the terminals of the device. The cable should be installed with "drip loop" to prevent water from entering the device housing.
4. Tighten the cable entry.
5. Turn the power on. If necessary, make the device commissioning by help of operating instruction.



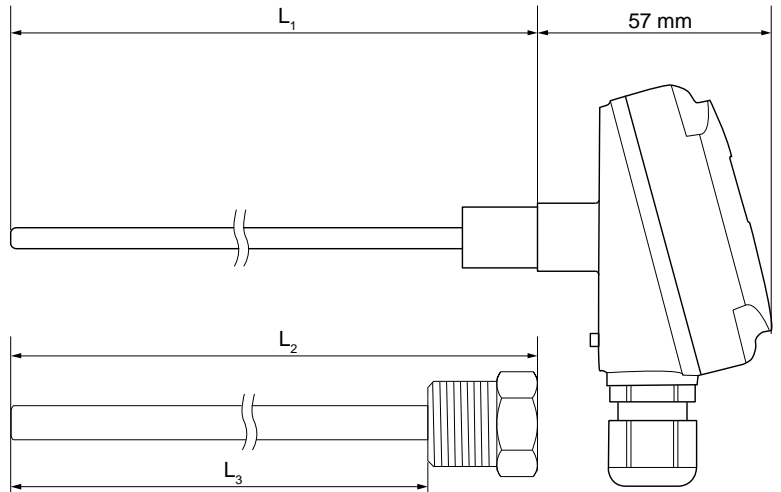
DIMENSIONS

TEAT

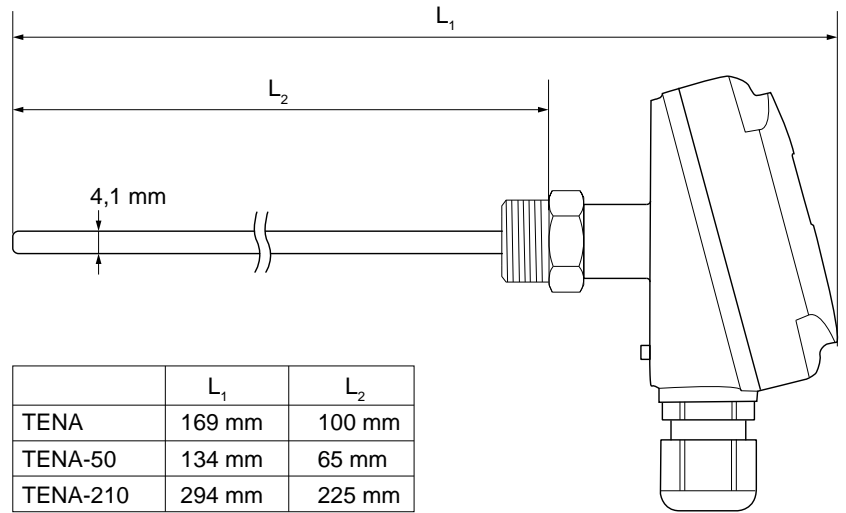
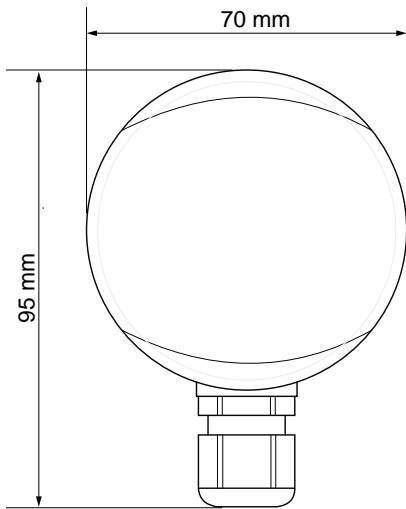


TEAT POCKETS

L ₁ (mm)	L ₂ (mm)	L ₃ (mm)	L ₂ materials
70	75	50	- stainless steel
100	105	80	- brass,
120	125	100	- acid proof steel
170	175	150	- seawater proof steel
220	225	200	
270	275	250	
320	325	300	
370	375	350	
470	475	450	



TENA



	L_1	L_2
TENA	169 mm	100 mm
TENA-50	134 mm	65 mm
TENA-210	294 mm	225 mm