

COMPATIBLE PRODUCTS

TEK, TEKHA, TEKA, TEKA-500 and IVL

ASSEMBLY INFORMATION

Device is installed to air duct measuring point by help of flange. Assembly location of the device should be chosen with care. All error factors which affects to the measurement, must be prevented well as possible. For example

- ambient temperature is too low or high.
- ambient humidity is too high.
- exposure to vibration.
- assembly location is too close to heat source.
- too tight assembly location. Device should be installed so, that it is easy to service.

NOTE: When the duct is cleaned, the device should be removed before brushing.

ASSEMBLY

1. Choose a location for the device assembly.

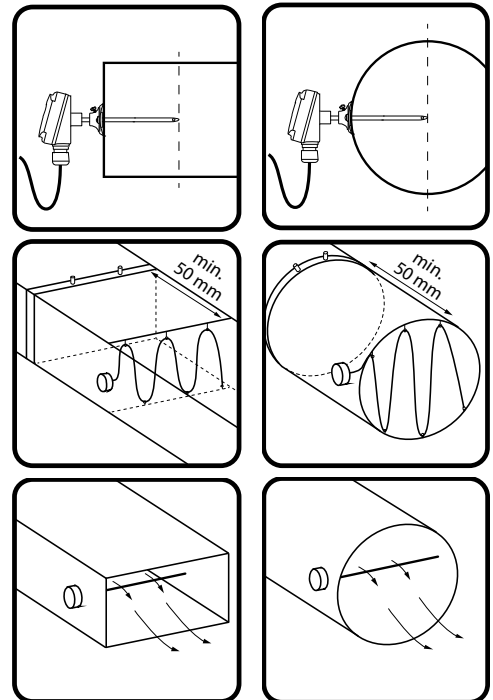
NOTE: The location of the device should be at least 50 mm away from a heat source.

2. Fit the device to the air duct and adjust the probe position by means of flange. Fit the stem or cable entry of the device downwards. Otherwise moisture can't get out of the device housing.

NOTE: Do not use probe-type sensors in areas where stratification can occur (e.g. downstream of mixing damper, heating and cooling coils or heat recovery units). Averaging sensor should be considered.

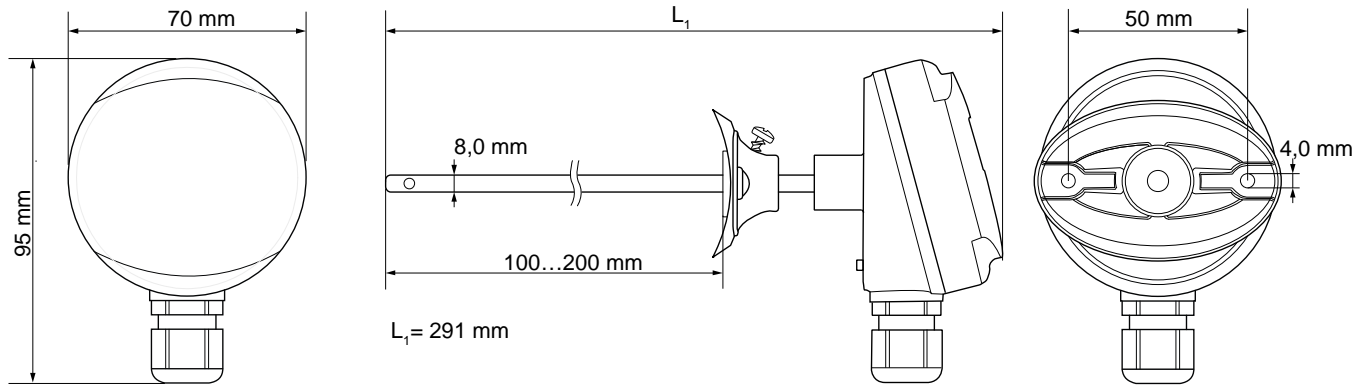
NOTE: sensor head of the IVL transmitters are extremely sensitive. Handle with care.

3. Connect cables to connector of the device. The cable should be installed with "drip loop" to prevent water from entering the device housing.
4. Tighten the cable entry.
5. Turn the power on. If necessary, make the device commissioning by help of operating instruction.

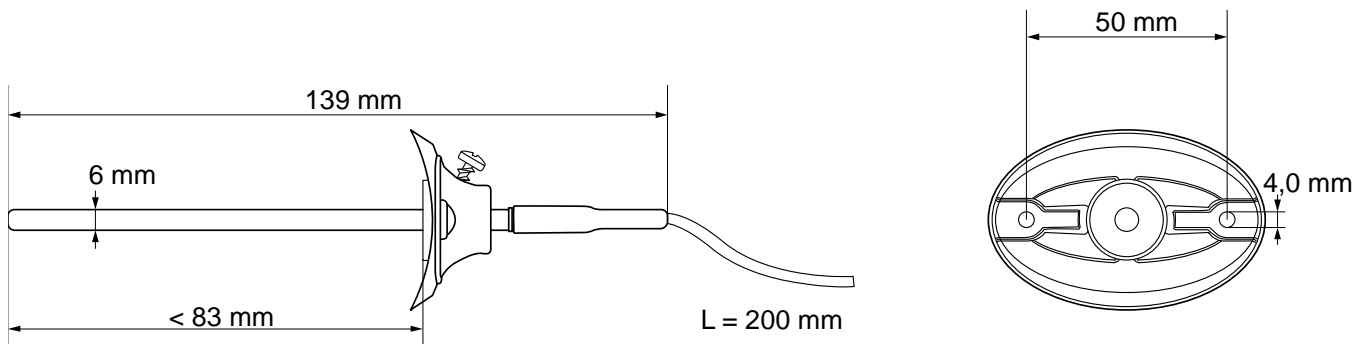


DIMENSIONS

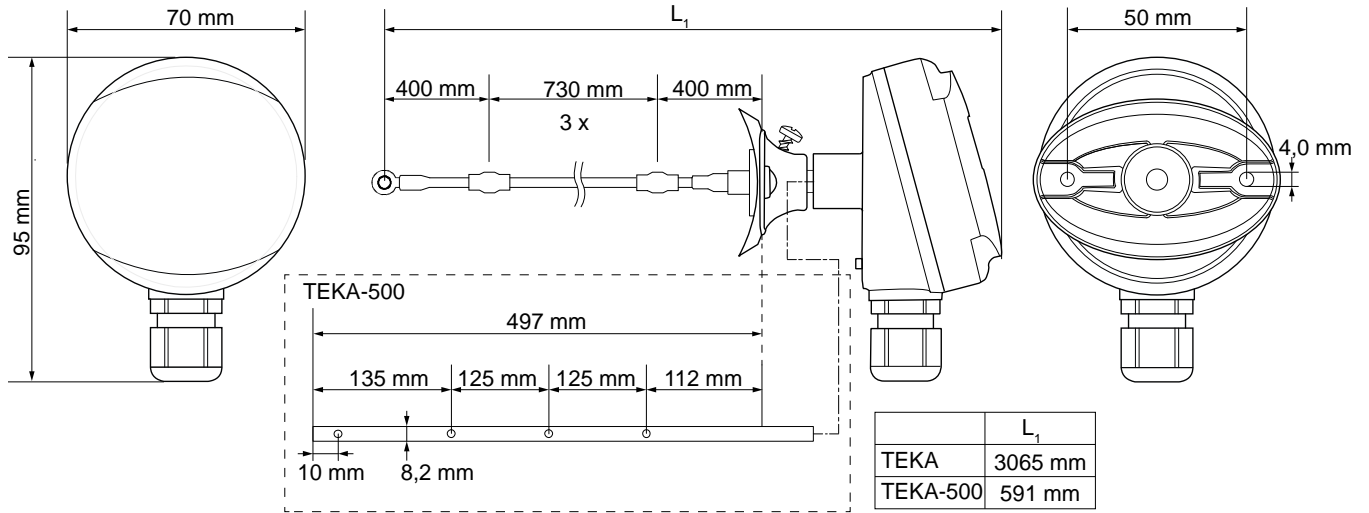
TEK



TEKHA



TEKA / TEKA-500



IVL 10 / IVL 02 / IVL 20

