

Safety Magnetic Sensors

Cylindrical Safety Magnetic Sensors

Types SMSA2P02

CARLO GAVAZZI



- Suitable for applications in safety category 4 in accordance with EN ISO13849-1:2008 when connected to appropriate safety devices
- Outputs: 1NO + 1NC
- Cable output connection
- Cylindrical housing
- Multiple flux coding
- LED indication (SMSA2P02LD only)
- In compliance with CEI EN 60947-5-3:2000

Product Description

The SMSA2P02 series is designed in conformity with EN ISO 12100:2010, EN 60204-1 and EN 1088. It is characterised by multiple flux coding and is suited

for applications up to safety Category 4 in accordance with EN ISO13849-1:2008 when connected to appropriate safety devices.

Ordering Key

SMS A2 P 02 LD

Safety magnetic sensor _____
 Diameter _____
 Housing material _____
 Contact type _____
 Other features _____

Type Selection

Output	Operating distance	LED indication	Item code (CE)	Item code (CE, UL)
1 NO + 1 NC	15 mm	No	SMS A2P02	SMS 2P 11 AJ 02M
1 NO + 1 NC	15 mm	Yes	SMS A2P02LD	-

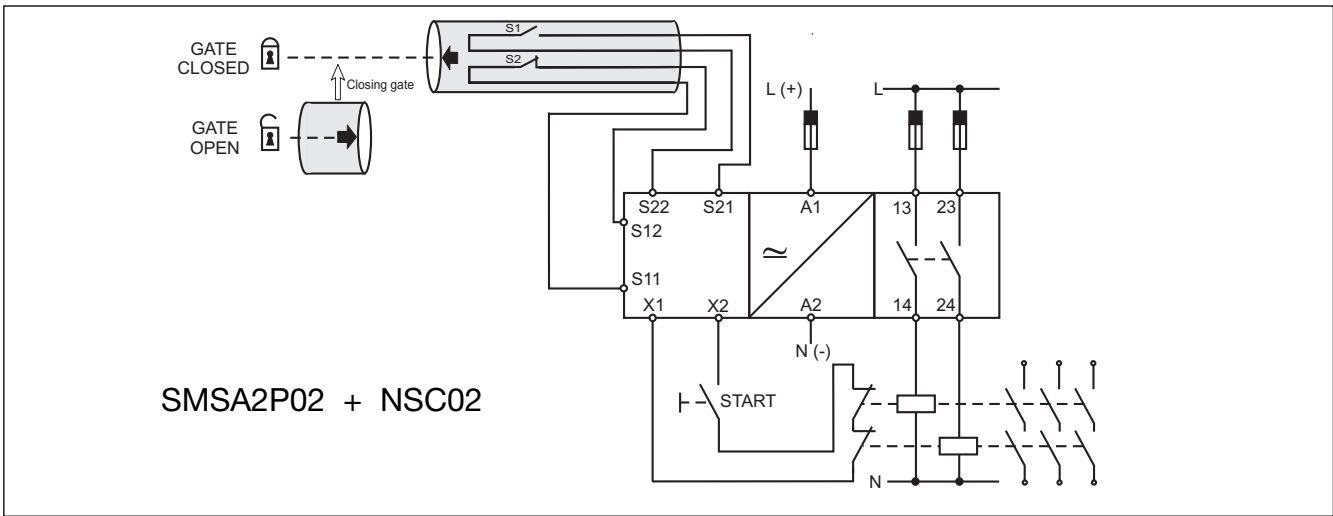
Output Specifications

Output	Category 4 (EN ISO13849-1:2008) 1 NO + 1 NC
Output connection SMSA2P02, SMAA2P02LD SMS2P11AJ02M	Cable (PVC, AWG 26, L = 2 m, 4 x 0.15 mm ²) Cable, (PVC, AWG 24, L = 2 m, 4 x 0.25 mm ²)
Contact ratings (CE version only) Max Switching Voltage Max Switching Current Max Switching Power	100 VAC 0.25 A 5 VA
Contact ratings (UL version only) Rating AC Max Switching Voltage Max Switching Current Max Switching Power Rating DC Max Switching Voltage Max Switching Current Max Switching Power	120 VAC 0.1 A g.p. 12 VA 50 VDC 0.25 A g.p. 12.5 W

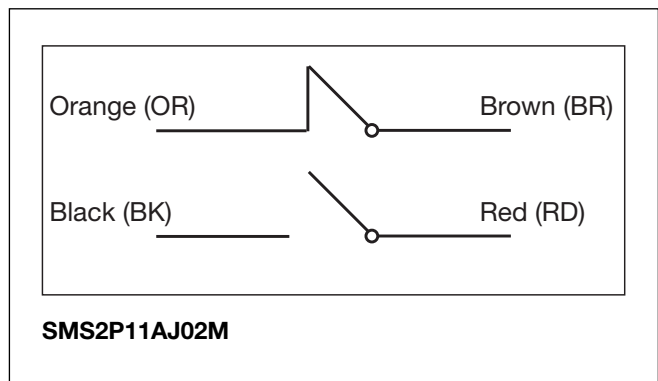
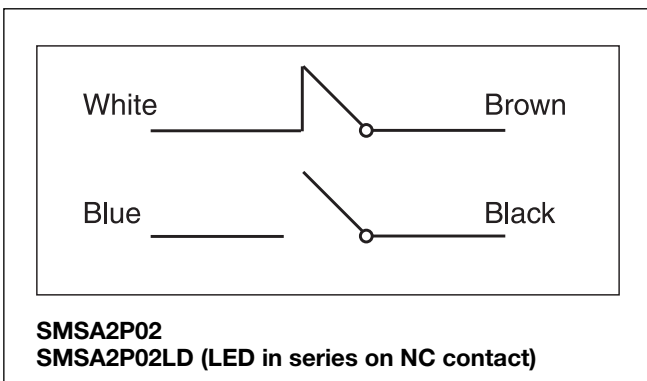
General Specifications

Operating distance ON	15 ± 5 mm
Release distance OFF	20 ± 6 mm
Reset distance	25 ± 7 mm
Suitable magnetic unit	CLSA2 CLSA25PC0 (cULus listed)
Misalignment	Max ± 2 mm
Housing Dimensions Material	M18x1 PBT + 30% glass
Weight	Approx. 70 g
Environment Degree of protection Operating temperature Storage temperature	IP 67 -25 ÷ +70 °C -25 ÷ +70 °C
Indication for Gate open (SMSA2P02LD)	LED, red
Approvals SMS2P11AJ02M	cULus listed (UL508)
CE-marking	Yes

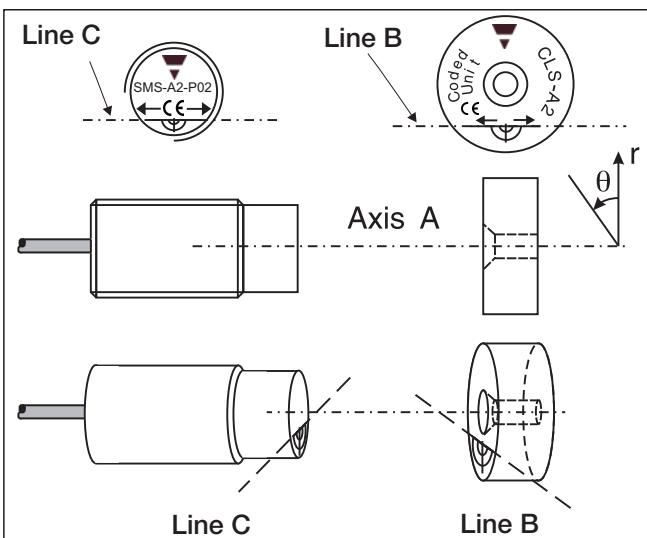
Application



Wiring Diagrams



Operating Directions



Dimensions

