

# Proximity Magnetic Sensors Explosive Environment Sensors M Atex Series - Encapsulated

CARLO GAVAZZI



- Rectangular plastic housing
- Encapsulated, NO, NC or CO output function
- PVC cable
- According to EN 60079-0 and 60079-18
- Atex certified



## Product Description

These products have been developed and approved to be used in potentially explosive areas, applying protection methods in accordance with EN 60079-0 normative (Electrical apparatus for potentially explosive atmo-

spheres. General requirements) and EN 60079-18 (Encapsulation "m"). M magnetic sensors are in category 2, suitable for zone 1 or 2 (gas), 21 or 22 (dusts).

## Ordering Key

**M Q A1 EX**

Type \_\_\_\_\_  
Housing type \_\_\_\_\_  
Contact type \_\_\_\_\_  
Atex certified \_\_\_\_\_

## Atex Marking

As for 94/9/EC (ATEX) Directive, products are marked:



**II 2G Ex mb IIC T5 Gb**  
**II 2D Ex mb IIIC T 100°C Db IP67**

Marking as for ATEX directive: **II 2 G** or **II 2 D**

- **II**: group, it identifies the surface industry.
- **2**: high protection category, allowing use in areas where an explosive atmosphere is likely to occur in normal operation (zone 1 and 21, covering also zone 2 and 22).
- **G**: presence of gases, vapours and mists (zone 1).
- **D**: presence of explosive dust (zone 21).
- **Ex**: product realized for use in explosive environments.
- **mb**: level of protection for encapsulation. The device is not capable of causing ignition in normal operation and in defined failure conditions.
- **IIC**: group of explosive gases (Hydrogen/Acetylene, valid also for groups IIA-Propane and IIB-Ethylene).
- **IIIC**: group of explosive dust (conductive dust, valid also for group IIIA-combustible flyings and IIIB-non conductive dust).
- **T5**: maximum surface temperature 100°C (gas or vapour ignition temperature > 100°C).
- **T 100°C IP67**: max surface temperature and protection degree, with reference to presence of explosive dusts.
- **Gb, Db**: equipment protection level respectively for gas and dust, according to EN60079-0. Equipment with high level of protection, which is not source of ignition in normal operation or during expected malfunctions.

## Type Selection

Housing type	Output function	Cable type	Reference
Rectangular, miniature	NO	2 m, PVC	<b>M Q A1 EX</b>
Rectangular, miniature	NC	2 m, PVC	<b>M Q C1 EX</b>
Rectangular, miniature	CO	2 m, PVC	<b>M Q S1 EX</b>



## Output Specifications

<b>Output</b>	
MQA1EX	NO
MQC1EX	NC
MQS1EX	CO
<b>Contact ratings</b>	
Max Switching Voltage MQA1EX, MQC1EX MQS1EX	230 V AC/DC 150 V AC/DC
Max Switching Current MQA1EX, MQC1EX MQS1EX	0.75 A 0.25 A
Max Switching Power MQA1EX, MQC1EX MQS1EX	10 VA 5 VA

## General Specifications

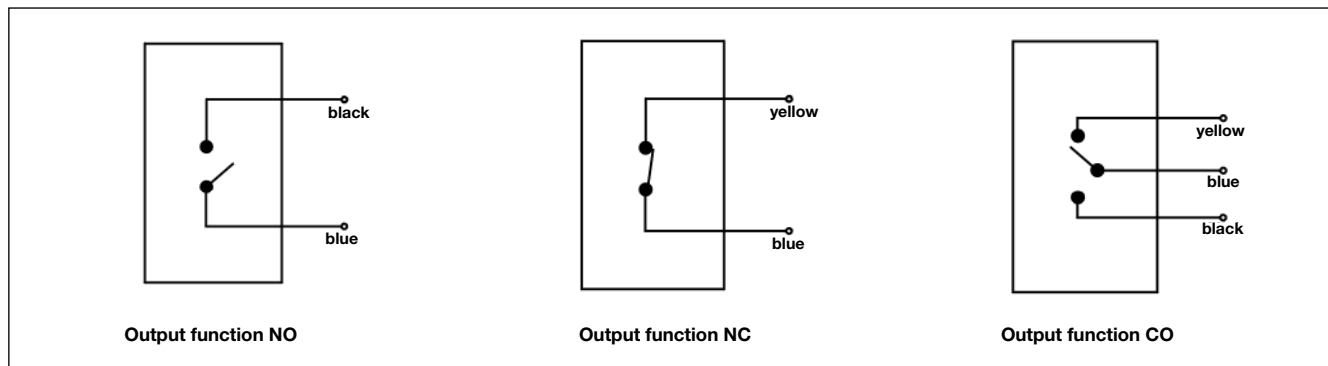
<b>Operating distance</b>	See Operating Distance table
<b>Suitable magnetic unit</b>	See Operating Distance table
<b>Operating temperature</b>	-20 to +60 °C
<b>Degree of protection</b>	IP 67
<b>Housing</b>	
Dimensions	37 x 16 x 8.3 mm
Material	Autoextinguishing polypropylene with 30% fiber glass
<b>Approvals</b>	ATEX
<b>CE-marking</b>	Yes

## Operating Distance

Magnetic Units	CL1	CL2	CL3	CL4
MQA1EX, MQS1EX	10	15	22	35
MQC1EX	7/2*	13/5*	17/7*	30/15*

**Distances are specified in millimeters (mm)**  
**xx/xx**: operating distance (for all Output functions); **xx/xx\***: reswitching contact distance.  
 Outside the above mentioned range, the sensor maintains the initial state.

## Wiring Diagrams



## Dimensions

