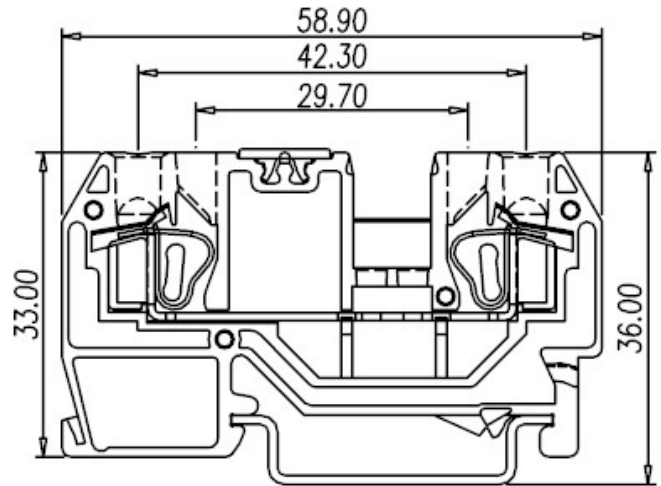
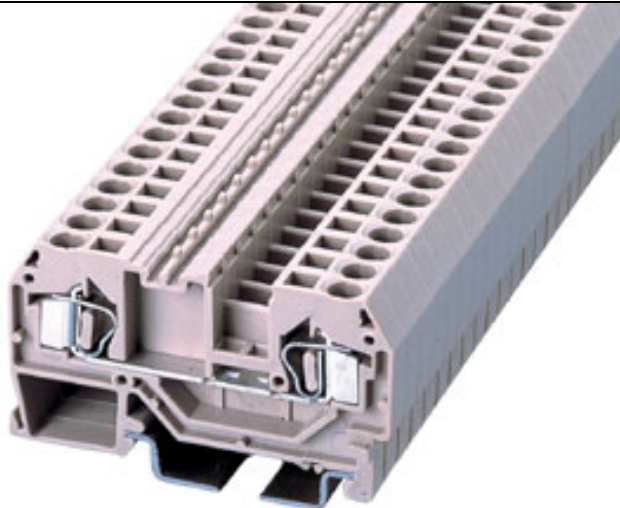


**DIN Rail terminal blocks / SK series**







**SK4**



**TxHxW(+0.2mm) 6.1x33x58.9**

Approval	<b>UL</b>	
Technical Data	UL	IEC
Rated voltage	600V	800V
Rated current	20A	32A
Wire range		
Solid wire (AWG   mm <sup>2</sup> )	28~12	0.5~4
Stranded wire (AWG   mm <sup>2</sup> )	28~12	0.5~4
Rated surge voltage (UL/IEC/Max.)	2.2 / 3 / 8 KV	
Torque (Lb-in)		
Screw		
Wire strip length	9~10mm	



Accessories	Cat. No.	
End cover	SK4C	
Partition		
Small partition		
Cross jumper - central type	DSS4	02P
		03P
		10P
Cross jumper - cage inserting type		
Suitable plugs		
Marking label	TM10	
Suitable rail	TS-35	
Tool	SDM3.5	
Optional color	Cat. No.	
	SK4-RD	
	SK4-BL	
	SK4-BK	
	SK4-OR	

TEL: +886-2-2908-0614

FAX: +886-2-2908-8549

E-mail: [infor@dinkle.com.tw](mailto:infor@dinkle.com.tw)