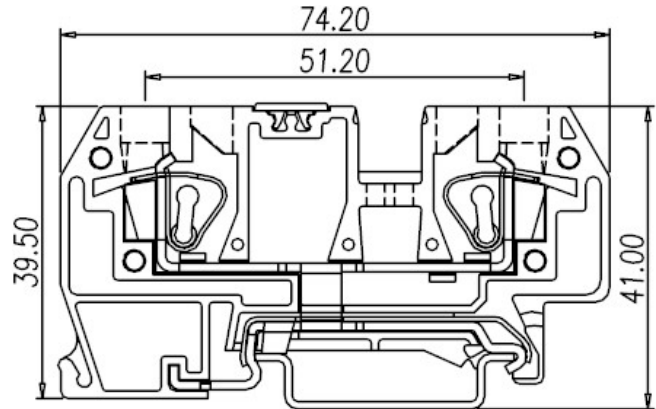
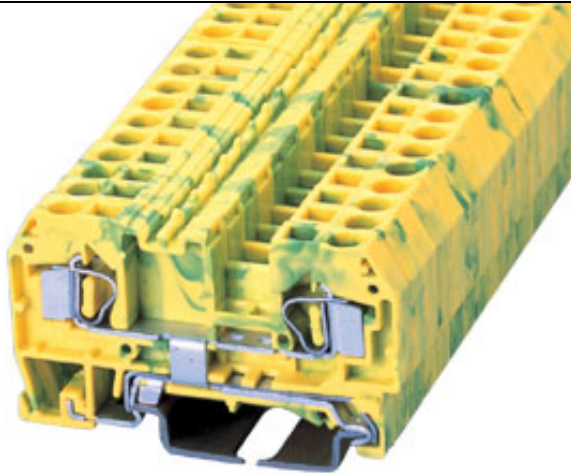


**DIN Rail terminal blocks / SGK series**



**SGK6**



**TxHxW(+0.2mm) 8x39.5x74.2**

|  |                |       |
|--|----------------|-------|
| Approval                               | <b>UL</b>      |       |
| Technical Data                         | UL             | IEC   |
| Rated voltage                          |                | 800V  |
| Rated current                          | 30A            | 41A   |
| Wire range                             |                |       |
| Solid wire (AWG   mm <sup>2</sup> )    | 24~10          | 0.5~6 |
| Stranded wire (AWG   mm <sup>2</sup> ) | 24~10          | 0.5~6 |
| Rated surge voltage (UL/IEC/Max.)      | 2.2 / 3 / 8 KV |       |
| Torque (Lb-in)                         |                |       |
| Screw                                  |                |       |
| Wire strip length                      | 12~13mm        |       |
| Accessories                            | Cat. No.       |       |
| End cover                              | SK6C-YG        |       |

**TEL:** +886-2-2908-0614

**FAX:** +886-2-2908-8549

**E-mail:** [infor@dinkle.com.tw](mailto:infor@dinkle.com.tw)