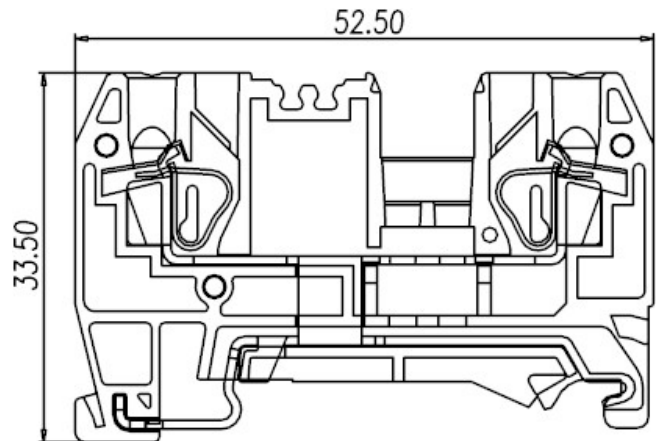
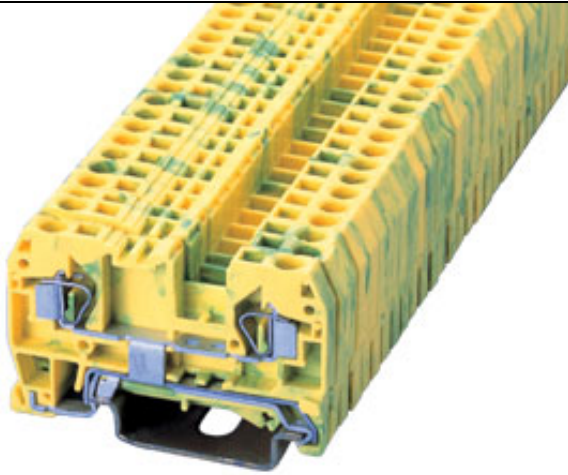


DIN Rail terminal blocks / SGK series



SGK2.5



TxHxW(+0.2mm) 5.1x33.5x52.5

Approval	UL	
Technical Data	UL	IEC
Rated voltage		800V
Rated current	20A	24A
Wire range		
Solid wire (AWG mm ²)	28~12	0.5~2.5
Stranded wire (AWG mm ²)	28~12	0.5~2.5
Rated surge voltage (UL/IEC/Max.)	2.2 / 3 / 8 KV	
Torque (Lb-in)		
Screw		
Wire strip length	8~9mm	

Accessories	Cat. No.
End cover	SK2.5C-YG

TEL: +886-2-2908-0614

FAX: +886-2-2908-8549

E-mail: infor@dinkle.com.tw